

Item# _____
Project: _____
Qty: _____

Work Table Standard Series Stainless Steel 18 Gauge

2" Closed end
turnup



Features

- 304 series stainless steel
- 18 gauge construction
- 2" "Closed End" turnup
- "Bull Nosed" edge



Cannonware Products
www.cannonware.com

Phone: (800).768.5953

Fax: (800).976.1299

304
Stainless Steel

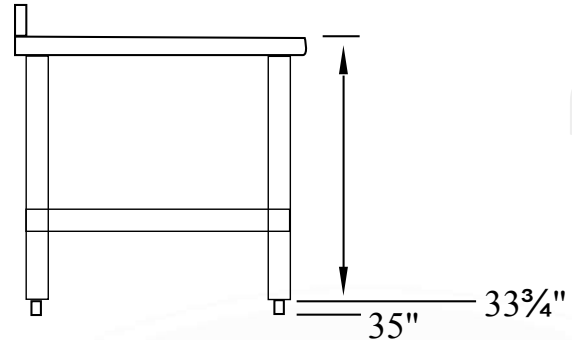
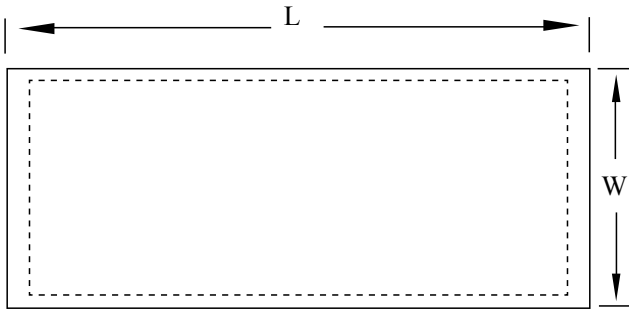


Cannonware Products

Item# _____
 Project: _____
 Qty: _____

February 2009

Work Table Standard Series Stainless Steel 18 Gauge



Cannonware Products

Model	Size	Weight/lbs (Shipping)
T2424CWP-3-T	24" x 24"	36
T2430CWP-3-T	24" x 30"	42
T2436CWP-3-T	24" x 36"	46
T2448CWP-3-T	24" x 48"	56
T2460CWP-3-T	24" x 60"	66
T2472CWP-3-T	24" x 72"	76
T2484CWP-3-T	24" x 84"	86
T2496CWP-3-T	24" x 96"	96
T3018CWP-3-T	30" x 18"	37
T3024CWP-3-T	30" x 24"	43
T3030CWP-3-T	30" x 30"	49
T3036CWP-3-T	30" x 36"	52
T3048CWP-3-T	30" x 48"	62
T3060CWP-3-T	30" x 60"	72
T3072CWP-3-T	30" x 72"	82
T3084CWP-3-T	30" x 84"	92
T3096CWP-3-T	30" x 96"	102

Part #SSLS - Optional stainless steel leg set for 14" deep sinks



Cannonware Products
www.cannonware.com

Phone: (800).768.5953

Fax: (800).976.1299

