

Item# _____
Project: _____
Qty: _____

Stainless Steel Medical Cart



Cannonware Products

Features

- Heavy Duty Construction, 304 Stainless Steel
- Comes With 2 Easy Glide Drawers
- Ideal for Healthcare, Food service, or Restaurant Applications
- Complete with 4" NSF Casters



Cannonware Products
www.cannonware.com

Phone:(800).768.5953

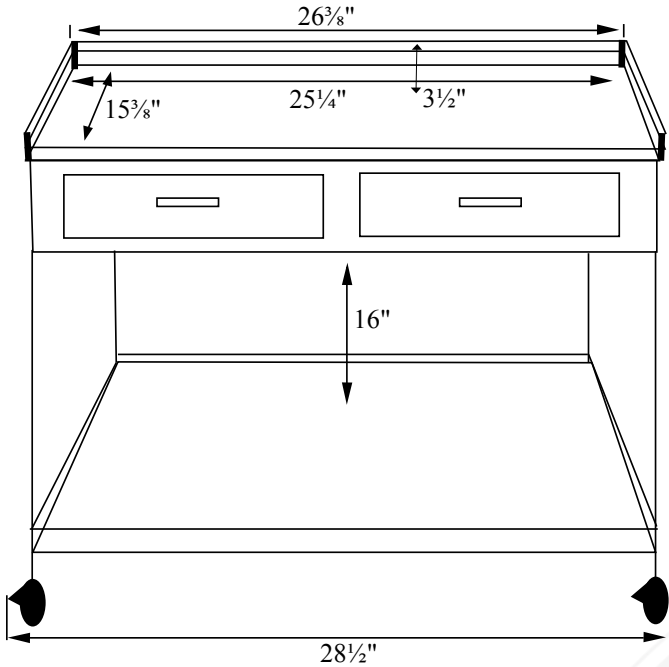
Fax:(800).976.1299

304
Stainless Steel

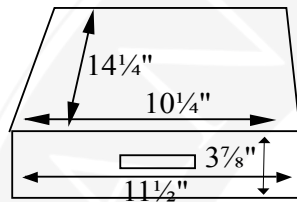


Item# _____
 Project: _____
 Qty: _____

Stainless Steel Medical Cart

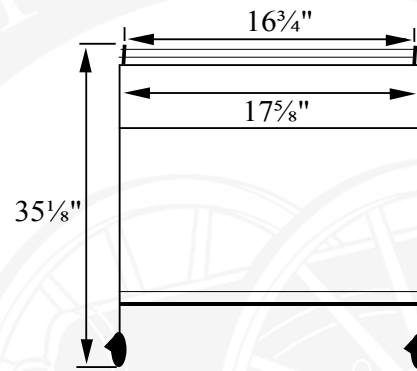


Front View



Drawer

Side View



Model

SSC-005

Description

304 Stainless Steel w/Drawer
 with casters, 2 brake and 2 non brake

Weight/lbs

(Shipping)
 52



Cannonware Products
www.cannonware.com

Phone: (800).768.5953

Fax: (800).976.1299



Cannonware Products