

Item# _____
Project: _____
Qty: _____

Stainless Steel Drawer



Features

- 304 Series Stainless Steel, 16 Gauge
- Rugged Construction for Demanding Environments
- Maximize Counter Space
- Easy Glide Quiet Slide Out Storage
- 15" x 14" Storage Area
- "Safety-Stops" Prevent Drawer Pullout
- Fits 30" Deep Tables



Cannonware Products
www.cannonware.com

Phone:(800).768.5953

Fax:(800).976.1299

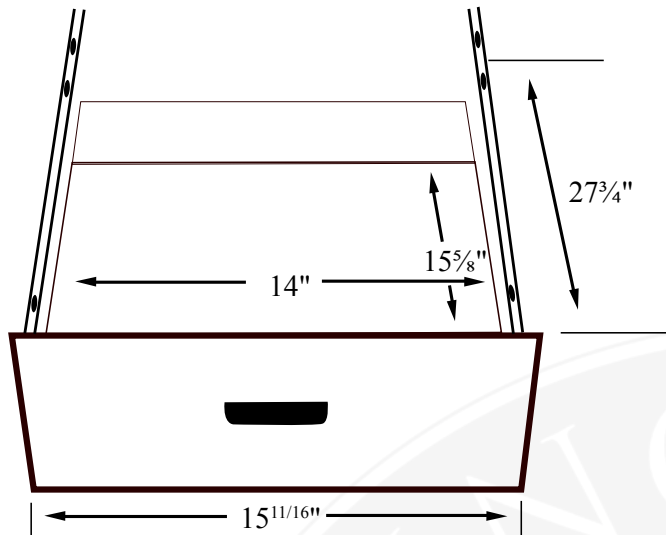
304
Stainless Steel



Cannonware Products

Item# _____
Project: _____
Qty: _____

Stainless Steel Drawer



Model

SSD-CWP

Size

(L x D x H)

16.5" x 28.35" x 5.5"

Can be modified for 24" tables

Weight/lbs

(Shipping)

12



Cannonware Products
www.cannonware.com

Phone: (800).768.5953

Fax: (800).976.1299

304
Stainless Steel

