

Item# \_\_\_\_\_  
Project: \_\_\_\_\_  
Qty: \_\_\_\_\_

# *Compact Sink Stainless Steel 18 Gauge 3 Bowl*



## **Features**

- 18 gauge, 304 Series Stainless Steel
- S/S gussets, legs, cross-bracing, and foot inserts
- Ideal for convenient store and deli style applications

*Cannonware Products*  
[www.cannonware.com](http://www.cannonware.com)

Phone:(800).768.5953

Fax:(800).976.1299

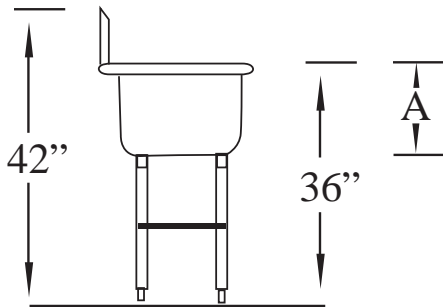
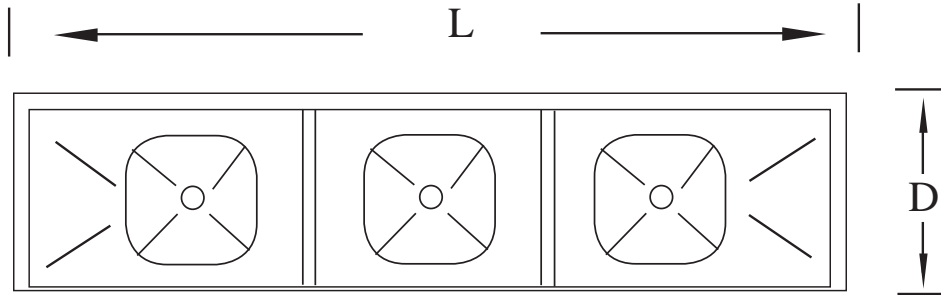
**304**  
Stainless Steel



Cannonware Products

Item# \_\_\_\_\_  
 Project: \_\_\_\_\_  
 Qty: \_\_\_\_\_

# Compact Sink Stainless Steel 18 Gauge 3 Bowl



Cannonware Products

<b>Model</b>	<b>Bowl Size</b>	<b>Drain Boards</b>	<b>Size</b> (L x D x A)	<b>Weight/lbs</b> (Shipping)
CS3CWP1410212	14" x 10"	Two 12"	57 1/2" x 20" x 10"	45
CS3CWP1410218	14" x 10"	Two 18"	69 1/2" x 20" x 10"	50
CS3CWP1614212	16" x 14"	Two 12"	69 1/2" x 22" x 11"	60
CS3CWP2012212	20" x 12"	Two 12"	63 1/2" x 26" x 12"	75



Cannonware Products  
[www.cannonware.com](http://www.cannonware.com)

Phone: (800).768.5953

Fax: (800).976.1299

