

Item# _____
Project: _____
Qty: _____

Work Table Deluxe Series Stainless Steel 16 Gauge



Features

- 304 series stainless steel top, 16 gauge
- 18 gauge, 430 stainless steel undershelf, 18 gauge
- 5" Boxed in turnup
- "Bull Nosed" edge
- Stainless Steel legs, inserts, gussets
- Stainless Steel center support channel (48" & up)

Cannonware Products
www.cannonware.com

Phone:(800).768.5953

Fax:(800).976.1299

304
Stainless Steel



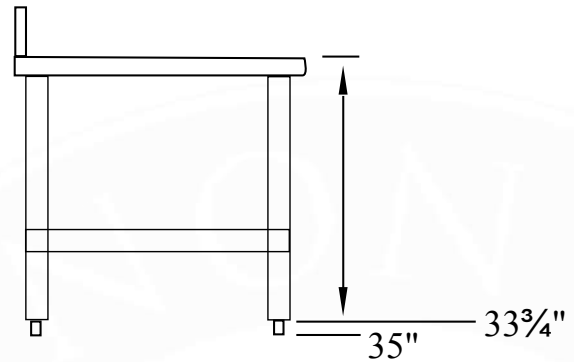
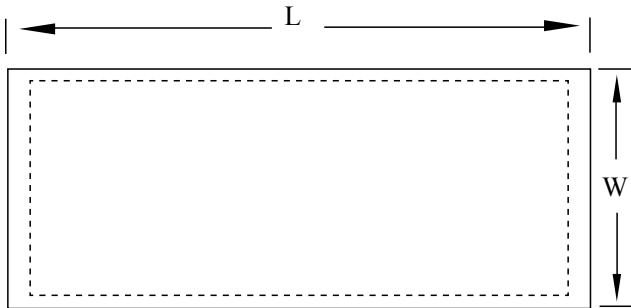
Cannonware Products

Item# _____
 Project: _____
 Qty: _____

February 2009

Work Table Deluxe Series Stainless Steel 16 Gauge

Cannonware Products



Model	Size	Weight/lbs (Shipping)
T3036CWP-16BS	30" x 36"	54
T3048CWP-16BS	30" x 48"	65
T3060CWP-16BS	30" x 60"	76
T3072CWP-16BS	30" x 72"	88



Cannonware Products
www.cannonware.com

Phone: (800).768.5953

Fax: (800).976.1299

