

Item# _____
Project: _____
Qty: _____

Heavy Duty Sink Stainless Steel 16 Gauge 3 Bowl



Features

- 304 series stainless steel
- 16 gauge construction
- Stainless steel gussets
- 14" deep bowls with 2" separation
- 10½" backsplash (11¾" from deck to tile edge)
- Galvanized legs with adjustable feet
- Basket strainers included



Cannonware Products
www.cannonware.com

Phone:(800).768.5953

Fax:(800).976.1299

304
Stainless Steel

HD Heavy Duty



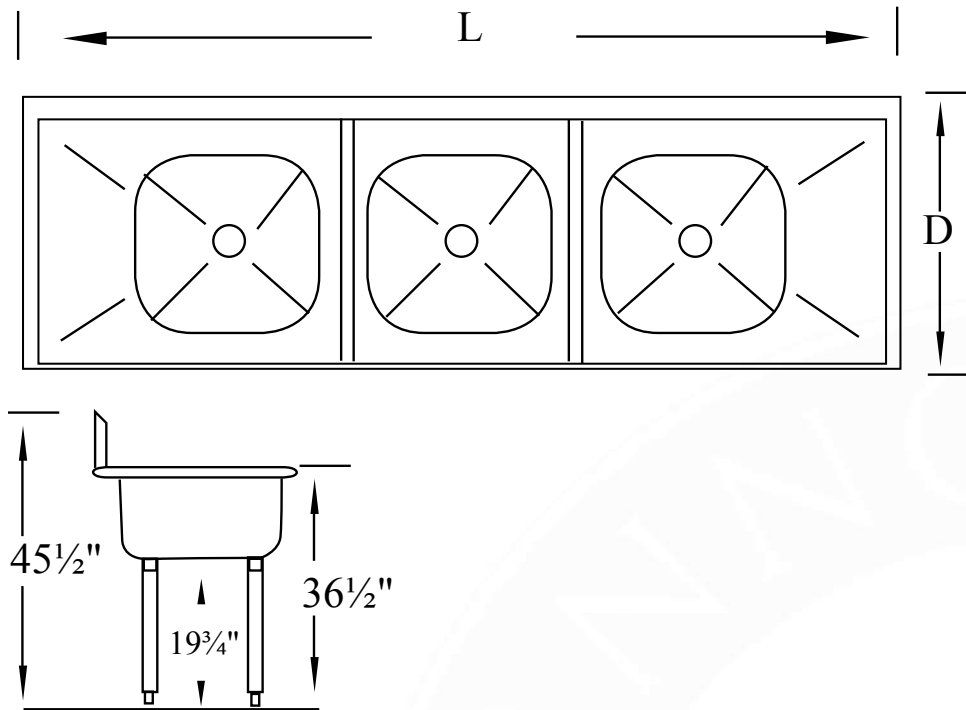
Cannonware Products

Item# _____
 Project: _____
 Qty: _____

February 2009

Heavy Duty Sink Stainless Steel 16 Gauge 3 Bowl

Cannonware Products



Model	Bowl Size	Drain Boards	Size (D x L)	Weight/lbs (Shipping)
3CWPH18182-24	18" x 18"	Two 24"	24" x 106"	137
3CWPH18242-24	18" x 24"	Two 24"	30" x 106"	143
* 3CWPH24242-24	24" x 24"	Two 24"	30" x 124"	225
3CWPH20282-30	20" x 28"	Two 30"	34" x 124"	240

Part #SSLS - Optional stainless steel leg set for 14" deep sinks

*Cut for 2 faucets



Cannonware Products
www.cannonware.com

Phone: (800).768.5953

Fax: (800).976.1299

